

PST - PSTH

Sewage type pumps

Application Area

Houses, factories sewage and similar facilities.

TECHNICAL DATA

Head	6 - 11,5 m
Flow	4 - 25 m ³ /h
Speed	1400 rpm

Specifications

Monophase or Three phase electrical motor driven, vertical construction, semi-open impeller type.



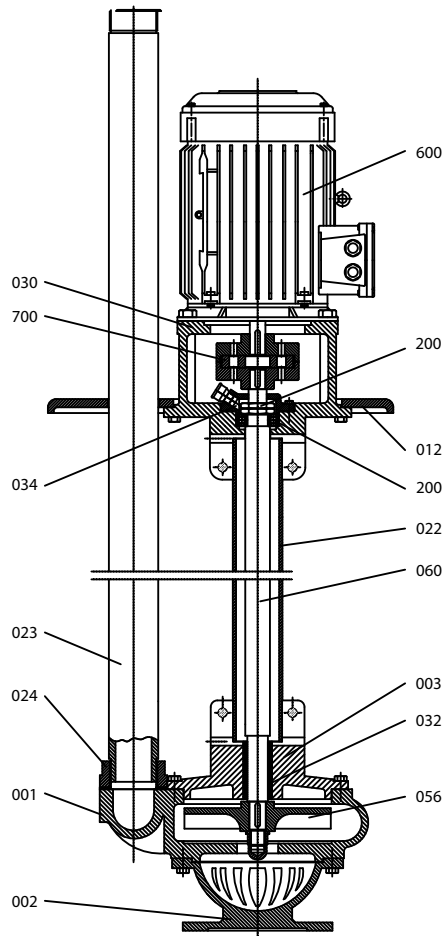
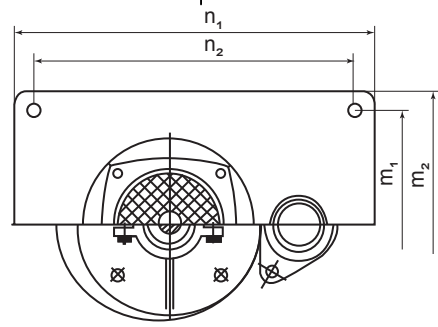
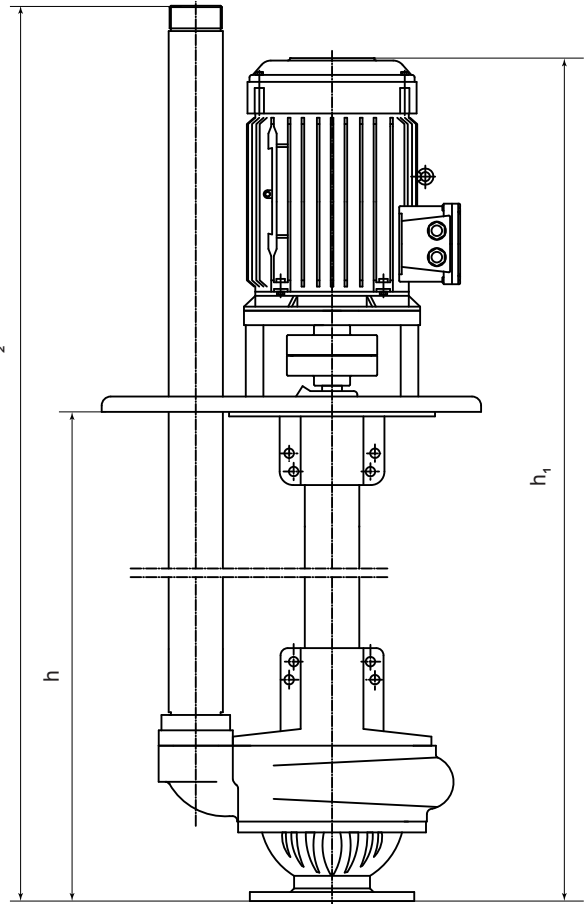
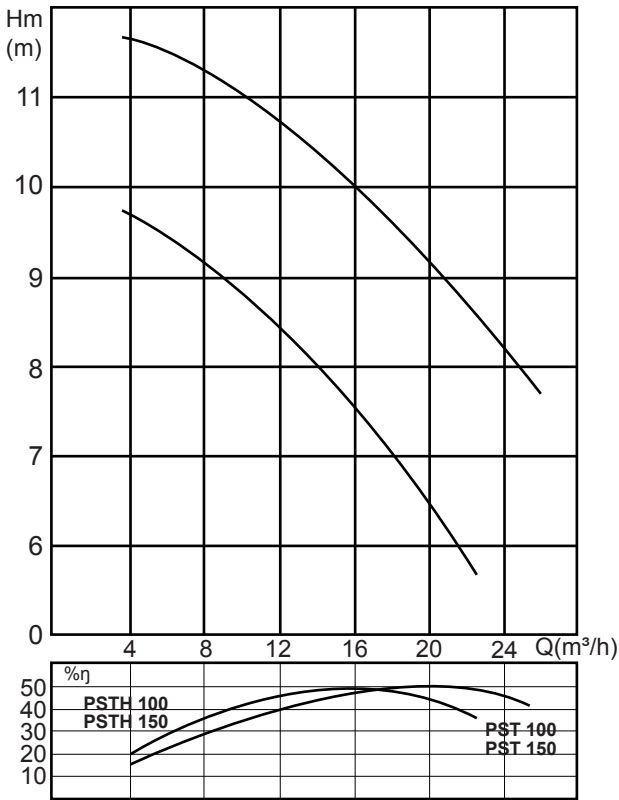
www.standartpompa.com / e-mail: info@standartpompa.com.tr

Fabrika - Merkez	Servis ve Yedek Parça
İdos Organize Sanayi Bölgesi 2.Cad. No:9 34775 İstanbul -TÜRKİYE Pbx: +90 216 466 89 00 Fax: +90 216 415 88 60	İdos Organize Sanayi Bölgesi 2.Cad. No:9 34775 İstanbul -TÜRKİYE Pbx: +90 216 466 89 00 Fax: +90 216 415 88 60

Tasarım ve boyut değişikliği hakkı saklıdır.
Baskı hatalarından dolayı sorumluluk kabul edilmez

Rev. No.0
10.02.2014

PERFORMANCE CURVE



PART LIST

- 001 - Volute casing
- 002 - Filter
- 003 - Casing cover
- 012 - Table
- 022 - Column pipe
- 023 - Discharge pipe
- 024 - Discharge flange
- 030 - Bearing housing
- 032 - Slide bearing
- 034 - Bearing housing cover
- 056 - Impeller
- 060 - Shaft
- 200 - Bearing (6205)
- 600 - Electrical motor
- 700 - Coupling

MATERIAL

- Casing..... GG-22
- Shaft..... St-70
- Impeller..... GG-22
- Stud..... St-40
- Key..... Cr-Ni

Start-Up

- 1-You should select a proper thermic switch and adjust it according to motor nominal current.
- 2-Before start up, you should check the shaft whether there is any stuck or not.

Maintenance

- 1-Once per month, check the grease level. If it is needed, put grease on it.

Type	Code	Outlet	MOTOR		FLOW			DIMENSIONS						Kg.				
			HP	rpm	Hm	Q (m³/h)	Hm	Q (m³/h)	Hm	Q (m³/h)	h	h ₁	h ₂		m ₁	m ₂	n ₁	n ₂
PST 100	0814	2"	1	1410	9.5	6	7.5	16	6	22	1190	1540	1720	310	340	420	390	72
PST 150											1700	2080	2220					81
PSTH 100	0824	2"	1.5	1410	11.5	6	10	7.5	7.5	22	1190	1540	1720	310	340	420	390	74
PSTH 150											1700	2080	2220					83